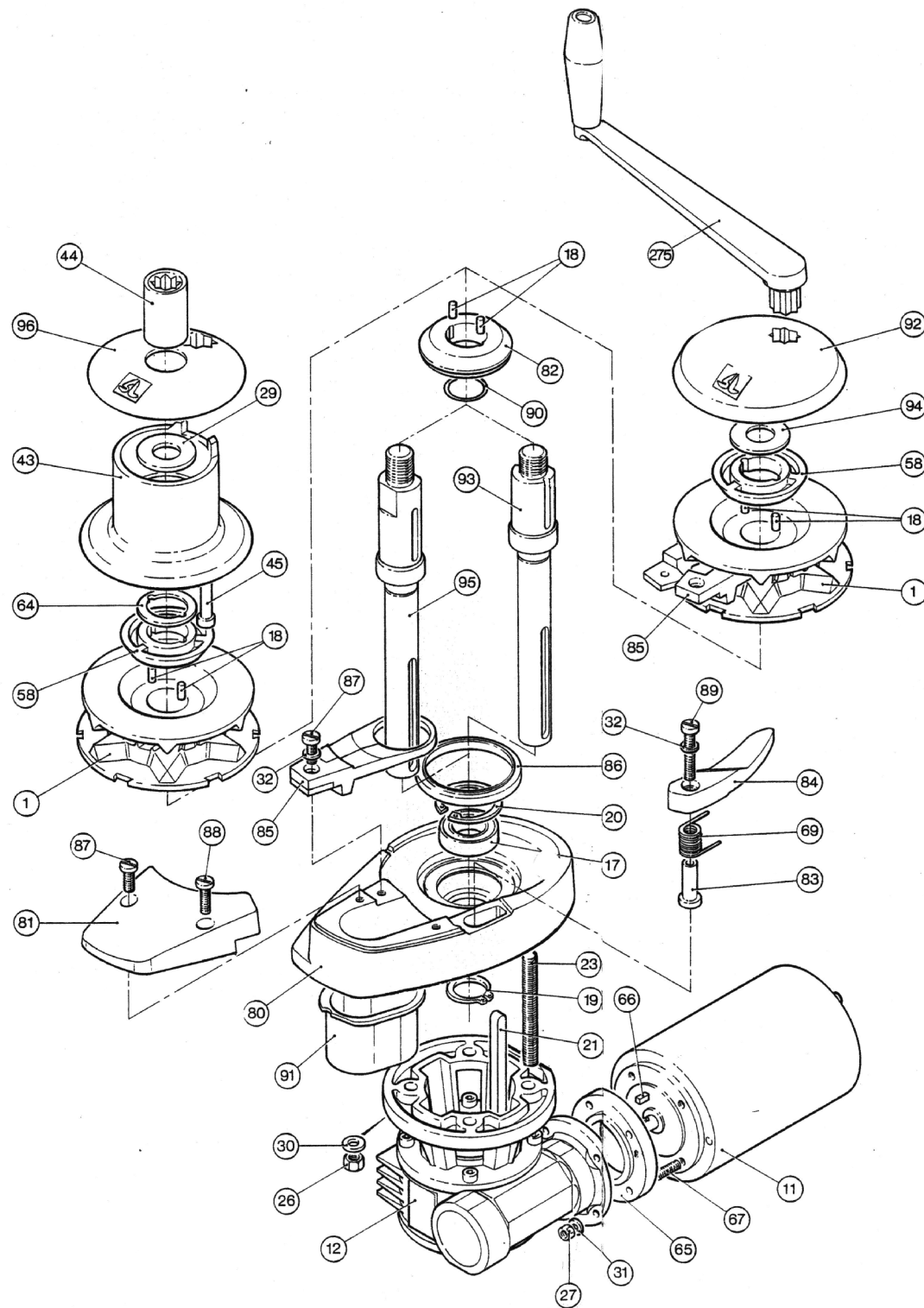


Sprint 900



Part Number	Description	Quantity	
		437	438
1	Gipsy	1	1
11	Electric Motor	1	1
12	Gearbox Assembly	1	1
17	Sealed Bearing	1	1
18	Drive Roller	4	4
19	External Circlip	1	1
20	Internal Circlip	1	1
21	Key	1	1
23	Stud	4	4
26	Nut	4	4
27	Nut	4	4
29	Washer	1	0
30	Washer	4	4
31	Washer	4	4
32	Washer	2	2
43	Drum	1	0
44	Clutch Nut	1	0
45	Screw	3	0
58	Gipsy Cone	1	1
64	Drum Spacer	1	0
65	Motor Adaptor Plate	1	1
66	Key, Motor	1	1
67	Stud	4	4
69	Torsion Spring	1	1
80	Baseplate	1	1
81	Baseplate Cover	1	1
82	Lower Clutch Cone	1	1
83	Control Arm Pin	1	1
84	Control Arm	1	1
85	Rope/Chain Fleming	1	1
86	Wiper Seal	1	1
87	Screw	2	2
88	Screw	1	1
89	Screw	1	1
90	O Ring Seal	1	1
91	Chain Pipe Sleeve	1	1
92	Gipsy Cap	0	1
93	Gipsy Only Mainshaft	0	1
94	Thrust Washer	0	1
95	Gipsy/Drum Mainshaft	1	0
96	Drum Cap	1	0
275	Sheet Winch Handle (Not included, see accessories)	1	1

Sprint 900  
Parts List

ITEM NUMBER	PART NUMBER	DESCRIPTION	NOTES
1	441RC172	GIPSY	
11	6044744A	12V ELECTRIC MOTOR	
	6044744B	24V ELECTRIC MOTOR	
12	6044512	GEARBOX ASSEMBLY	
17	445-017	SEALED BEARING	
18	6044518	DRIVE ROLLER	
19	6044519	EXTERNAL CIRCLIP	
20	6044519	INTERNAL CIRCLIP	
21	445-021	KEY	
23	445-023	STUD	
26	445-026	NUT	
27	445-027	NUT	
29	445-029	WASHER	
30	445-030	WASHER	
31	445-031	WASHER	
32	555-049	WASHER	
43	441-020	DRUM	
44	6044544	CLUTCH NUT	
45	441-022	SCREW	
58	6044558	GIPSY CONE	
64	6044564	DRUM SPACER	
65	439-065	MOTOR ADAPTOR PLATE	
67	439-067	STUD	
69	6043869	TORSION SPRING	
80	438-080	BASEPLATE	
81	438-081	BASEPLATE COVER	
82	438-082	LOWER CLUTCH CONE	
83	438-083	CONTROL ARM PIN	
84	6043884	CONTROL ARM	
85	6043885	ROPE/CHAIN FLEMING	
86	438-086	WIPER SEAL	
87	438-087	SCREW	
88	438-088	SCREW	
89	438-089	SCREW	
90	438-090	O RING SEAL	
91	438-091	CHAIN PIPE SLEEVE	
92	438-092	GIPSY CAP	
93	438-093	GIPSY ONLY MAINSHAFT	
94	438-094	THRUST WASHER	
95	437-095	GPSY/DRUM MAINSHAFT	
96	437-096	DRUM CAP	
275	2756900	SHEET WINCH HANDLE	